

- PITOT-STATIC ENHANCED ACCURACY
- OPTIONAL PITCH SYNC FEATURE
- INTERNAL BATTERY BACKUP
- 360 DEGREES OF PITCH AND ROLL
- MULTI-VOLT OPERATION (9 TO 32 VOLTS)
- FITS STANDARD CUTOUT
- BRIGHT, HIGHLY VISIBLE LCD DISPLAY
- NVIS NIGHT VISION OPTION
- ALL DIGITAL - NO MOVING PARTS
- 3 AND 2 INCH MODELS AVAILABLE
- ADJUSTABLE BRIGHTNESS
- BLACK ANODIZED BEZEL
- LIGHTWEIGHT 2"= 4.75oz. & 3"= 6.75oz.
- FULLY FAA CERTIFIED

**2 YEAR WARRANTY!**



**RCA2610-3P**

**PITOT-  
STATIC  
ENHANCED**



**RCA2610-2P**

The **RCA2610-P Series Digital Horizon** is the culmination of *10 years of innovation* from **RC Allen**. The updated **RCA2610-P** now has a standard display that includes a **Digital Slip Indicator** and **Rate of Turn Indicator**. Both the three-inch and the 2-inch versions come with an optional **Internal Battery Backup**. All models are available with an **NVIS Night Vision** Filter option.

The original **RCA2610** series uses mathematical algorithms to calculate airspeed which is perfect for most small aircraft. The added Pitot-Static input, gives the **RCA2610-P** more precise speed information for greater accuracy and stability in faster, high performance aircraft. Order: **RCA2610-3P** (3 inch) or **RCA2610-2P** (2 inch)

This series also includes the **Pitch Sync** feature which allows pilots to instantly synchronize the airplane symbol to the horizon line when flying in a pitch up or pitch down attitude.

We also offer the **RCA2610-P-G** that comes without the Pitch-Sync feature which functions like the original model with brightness controls only. Order: **RCA2610-3P-G** (3 inch) or **RCA2610-2P-G** (2 inch).

The **RCA2610-P** has the look of a traditional attitude indicator without the clutter of additional data on the screen. Being totally digital, the **RCA2610-P** has no moving parts to wear out for years of reliable service. That is why we include a full two-year warranty!

<u>OPERATING VOLTAGE</u> .....	9 to 32VDC
<u>RUNNING CURRENT</u> .....	(14VDC system) 0.20 AMPS MAX (28VDC system) 0.18 AMPS MAX
<u>CIRCUIT BREAKER SIZE</u> .....	1 AMP
<u>SETTLING ERROR</u> .....	1° MAXIMUM IN ROLL AND PITCH
<u>OPERATING TEMPERATURE RANGE</u> .....	-30° TO +50° C
<u>DIMENSIONS</u> .....	SEE FIGURE 1
<u>FAA SPECIFICATION CONFORMANCE</u> .....	TSO-C4c, TSO-C113, DO-160F & DO-178B Level C

**NOTE: Panel tilt angle is pre-set and must be specified at time of order.**

Visit us at: [WWW.KELLYMFG.COM](http://WWW.KELLYMFG.COM)



August 2019



KELLY MANUFACTURING COMPANY  
555 SOUTH TOPEKA  
WICHITA, KS 67202 U.S.A.

For more information:  
Phone: (316) 265-6868  
Email: [info@kellymfg.com](mailto:info@kellymfg.com)

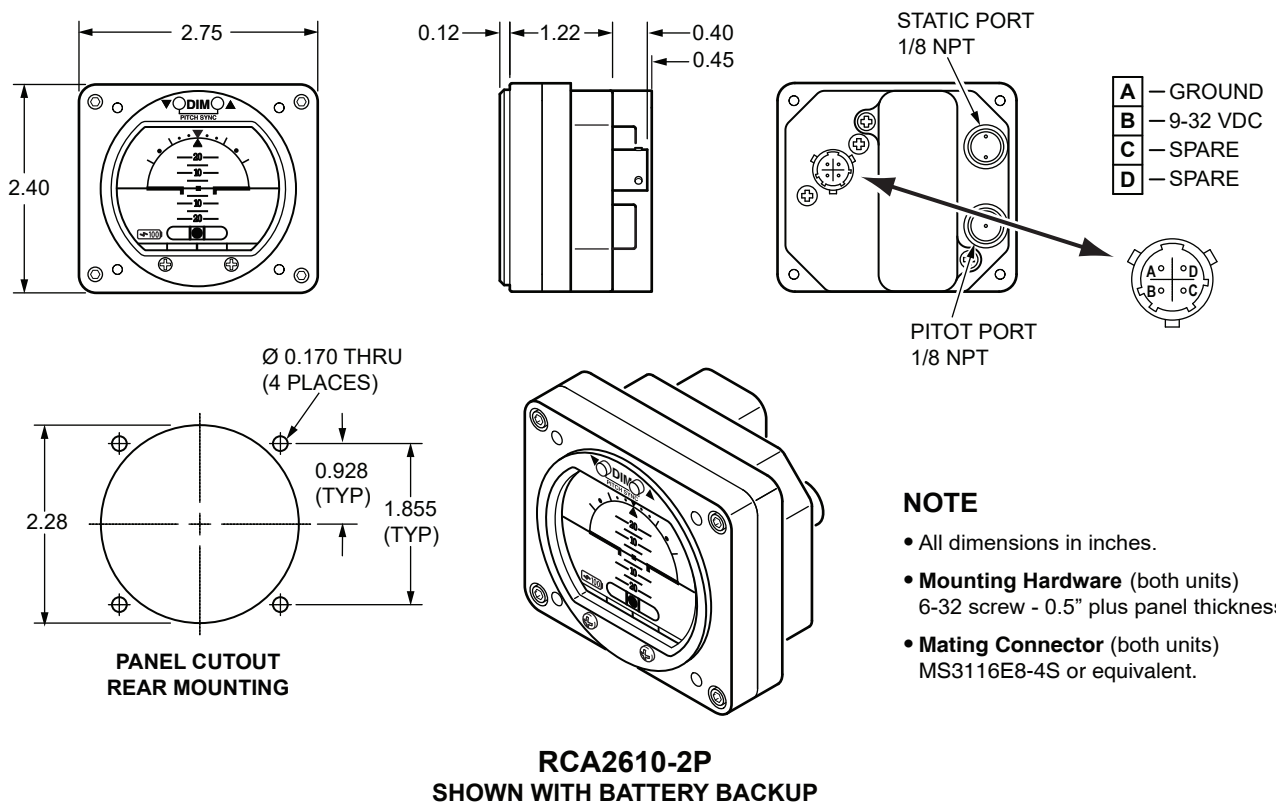
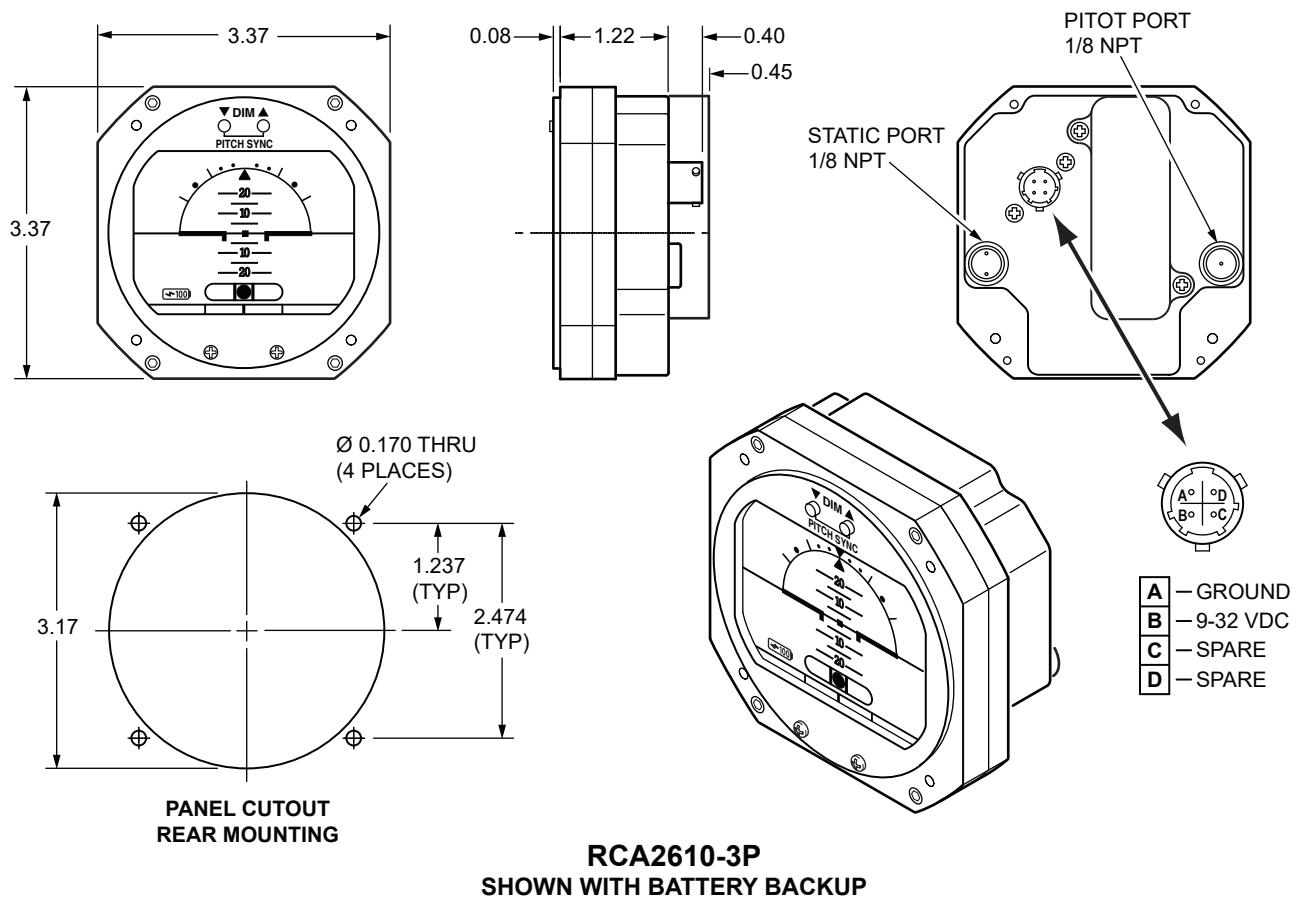


Figure 1, General Dimensions of the RCA2610-P3 and RCA2610-P2